

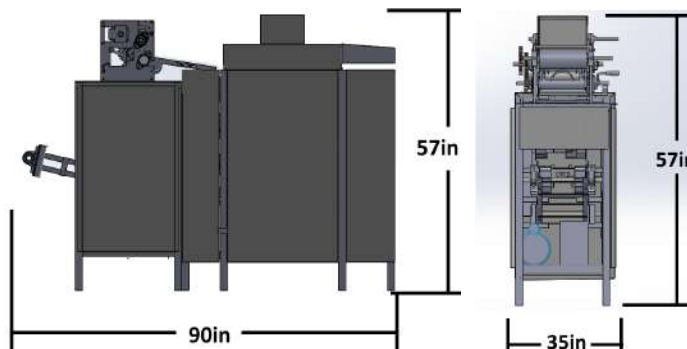


Super Tortilla Machines



C2000

Dimensions	
Length	90 in (229 cm)
Wide	35 in (90 cm)
Height	57 in (145 cm)
Weight	1760 lbs (800 kg)
Build Materials	- Aluminum head (stainless steel upon request) - Stainless steel covers - Heavy duty bearings - Iron body - Heavy duty gear box - High efficiency burners - Zytel 42 FG (Food Grade) or Similar Material with Same Mechanical and Food Grade Characteristics Rollers



Electrical Consumption	1.2 KWH
Hertz	60Hz / 50Hz (50 upon request)
Volts	110V, 220-240V AC
Motor Size	1.5 HP
Production	
Pieces per hour	800-1200 pz / hr
Max Tortilla Size	8 in (20 cm)
Min Tortilla Size	4 in (10 cm) or smaller
Adjustable Size	Yes
Flour/Dough Type	Corn
Customization	This machine can be customized. Can be made for bigger tortillas and for different electrical systems. Can also use different shape cutters.

TS Products and Services C. 543 Americas Ave., Suite B-6, El Paso TX 79907, USA Tel +1-915-400-5845

sales@supertortillamachines.com