

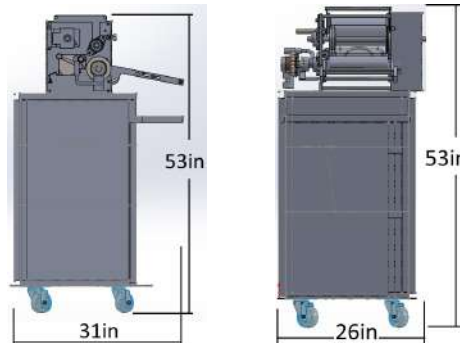


Super Tortilla Machines



C1000

Dimensions	
Length	31in (79 cm)
Wide	26 in (66 cm)
Height	53 in (120 cm)
Weight	1760 lbs (135 kg)
Build Materials	- Aluminum head (stainless steel upon request) - Stainless steel covers - Heavy duty bearings - Iron body - Heavy duty gear box - High efficiency burners - Zytel 42 FG (Food Grade) or Similar Material with Same Mechanical and Food Grade Characteristics Rollers



Electrical Consumption	1.2 KWH
Hertz	60Hz / 50Hz (50 upon request)
Volts	110V, 220-240V AC
Motor Size	1.5 HP
Production	
Pieces per hour	800-1200 pz / hr
Max Tortilla Size	8 in (20 cm)
Min Tortilla Size	4 in (10 cm) or smaller
Adjustable Size	Yes
Flour/Dough Type	Corn
Customization	This machine can be customized. Can be made for bigger tortillas and for different electrical systems. Can also use different shape cutters.